

## ASTM A733 STANDARD STEEL PIPE NIPPLES

Type-Carbon steel/Stainlesssteel/Brass;Std.Sch80,XXHSch160,



Standard  
Black Schedule 40

Extra Heavy  
Black Schedule 80

Standard  
Galv. Schedule  
40

Extra Heavy  
Galv. Schedule  
80

### Material

ASTM A53 Standard Specification for Pipe Steel, Black, Galvanized, Hot-Dipped, Zinc Coated, Welded.

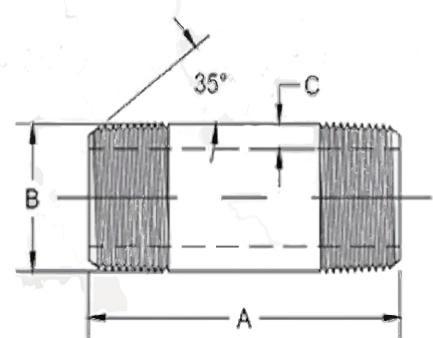
### Applicable specification

ASTM A733

(Refer to the chart below for specific pipe dimensions.)

**Note:** Minimum wall thickness at any point to be not more than +/- 10% nominal wall thickness specified for that size pipe.

Standard and Extra Heavy right and left nipples available in 1/8 – 4" diameter and 4" and 6" lengths.



Pipe Size	B Pipe O.D.	Close	A, Length															C, Nominal Wall			
			Space															STD.	XH		
1/8"	.405	3/4	1 1/2	2	2 1/2	3	3 1/2	4	4 1/4	5	5 1/2	6	7	8	9	10	11	12	.068	.095	
1/4"	.540	7/8	1 1/2	2	2 1/2	3	3 1/2	4	4 1/4	5	5 1/2	6	7	8	9	10	11	12	.068	.068	
3/8"	.675	1	1 1/2	2	2 1/2	3	3 1/2	4	4 1/4	5	5 1/2	6	7	8	9	10	11	12	.068	.068	
1/2"	.840	1 1/8	1 1/2	2	2 1/2	3	3 1/2	4	4 1/4	5	5 1/2	6	7	8	9	10	11	12	.068	.068	
3/4"	1.050	1 3/8	1 1/2	2	2 1/2	3	3 1/2	4	4 1/4	5	5 1/2	6	7	8	9	10	11	12	.068	.068	
1"	1.315	1 1/2		2	2 1/2	3	3 1/2	4	4 1/4	5	5 1/2	6	7	8	9	10	11	12	.068	.068	
1 1/4"	1.660	1 5/8		2	2 1/2	3	3 1/2	4	4 1/4	5	5 1/2	6	7	8	9	10	11	12	.068	.068	
1 1/2"	1.900	1 3/4		2	2 1/2	3	3 1/2	4	4 1/4	5	5 1/2	6	7	8	9	10	11	12	.068	.068	
2"	2.375	2			2 1/2	3	3 1/2	4	4 1/4	5	5 1/2	6	7	8	9	10	11	12	.068	.068	
2 1/2"	3.500	2 1/2				3	3 1/2	4	4 1/4	5	5 1/2	6	7	8	9	10	11	12	.068	.068	
3"	4.500	2 5/8					3	3 1/2	4	4 1/4	5	5 1/2	6	7	8	9	10	11	12	.068	.068
4"	5.563	2 7/8						4	4 1/4	5	5 1/2	6	7	8	9	10	11	12	.068	.068	
5"	6.625	3 1/8							4 1/4	5	5 1/2	6	7	8	9	10	11	12	.068	.068	
6"	8.625	3 1/2							4 1/4	5	5 1/2	6	7	8	9	10	11	12	.068	.068	

