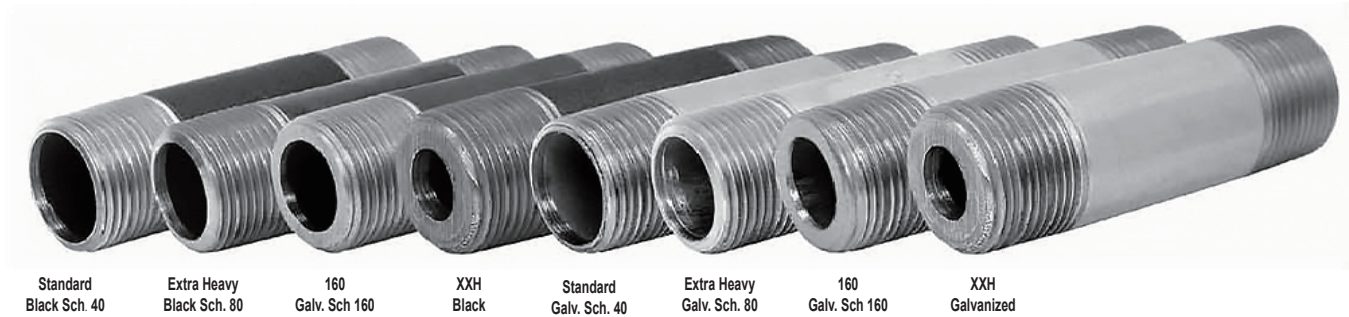


Seamless Pipe Nipples

Black & Galvanized, Std. Sch. 40, XH Sch. 80, Sch. 160, XXH



Material

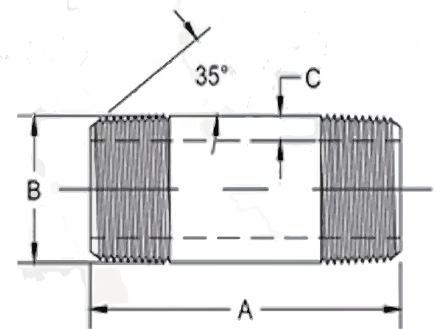
ASTM A106 Grade B Seamless Pipe

Applicable Specification

ASTM A733

(Refer to the chart below for specific pipe dimensions.)

Note: Minimum wall thickness at any point to be not more than 10% over and 3 1/2% under nominal wall thickness specified for that size pipe.



Pipe Size	B		A, Length															C, Nominal Wall		
	Pipe O.D.	Close	Space															STD.	XH	
1/8"	.405	3/4	1 1/2	2	2 1/2	3	3 1/2	4	4 1/4	5	5 1/2	6	7	8	9	10	11	12	.068	.095
1/4"	.540	7/8	1 1/2	2	2 1/2	3	3 1/2	4	4 1/4	5	5 1/2	6	7	8	9	10	11	12	.068	.068
3/8"	.675	1	1 1/2	2	2 1/2	3	3 1/2	4	4 1/4	5	5 1/2	6	7	8	9	10	11	12	.068	.068
1/2"	.840	1 1/8	1 1/2	2	2 1/2	3	3 1/2	4	4 1/4	5	5 1/2	6	7	8	9	10	11	12	.068	.068
3/4"	1.050	1 3/8	1 1/2	2	2 1/2	3	3 1/2	4	4 1/4	5	5 1/2	6	7	8	9	10	11	12	.068	.068
1"	1.315	1 1/2		2	2 1/2	3	3 1/2	4	4 1/4	5	5 1/2	6	7	8	9	10	11	12	.068	.068
1 1/4"	1.660	1 5/8		2	2 1/2	3	3 1/2	4	4 1/4	5	5 1/2	6	7	8	9	10	11	12	.068	.068
1 1/2"	1.900	1 3/4		2	2 1/2	3	3 1/2	4	4 1/4	5	5 1/2	6	7	8	9	10	11	12	.068	.068
2"	2.375	2			2 1/2	3	3 1/2	4	4 1/4	5	5 1/2	6	7	8	9	10	11	12	.068	.068
2 1/2"	3.500	2 1/2				3	3 1/2	4	4 1/4	5	5 1/2	6	7	8	9	10	11	12	.068	.068
3"	4.500	2 5/8				3	3 1/2	4	4 1/4	5	5 1/2	6	7	8	9	10	11	12	.068	.068
4"	5.563	2 7/8						4	4 1/4	5	5 1/2	6	7	8	9	10	11	12	.068	.068
5"	6.625	3 1/8							4 1/4	5	5 1/2	6	7	8	9	10	11	12	.068	.068
6"	8.625	3 1/2							4 1/4	5	5 1/2	6	7	8	9	10	11	12	.068	.068