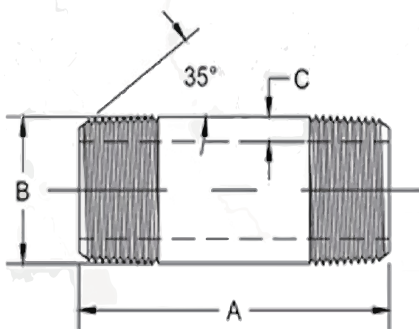
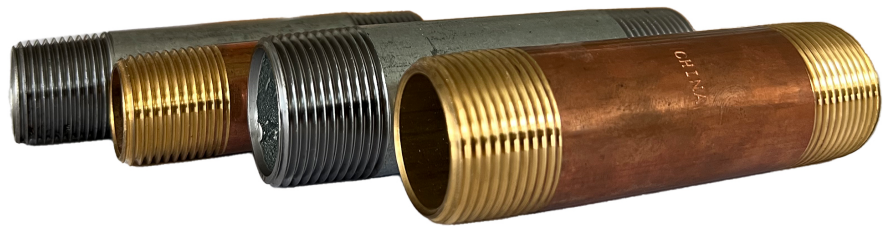


Seamless Sch 40 Red Brass Specifications

- Branded
- Seamless brass pipe conforms to ASTM B43
- Seamless brass nipples conform to ASTM B687
- NPT threads on nipples conform to ASME B1.20.1
- Certified to CA AB1953 Lead Free



Chromed is available



Pipe Size	B		A, Length															C, Nominal Wall		
	Pipe O.D.	Close	Space															STD.	XH	
1/8"	.405	3/4	1 1/2	2	2 1/2	3	3 1/2	4	4 1/4	5	5 1/2	6	7	8	9	10	11	12	.068	.095
1/4"	.540	7/8	1 1/2	2	2 1/2	3	3 1/2	4	4 1/4	5	5 1/2	6	7	8	9	10	11	12	.068	.068
3/8"	.675	1	1 1/2	2	2 1/2	3	3 1/2	4	4 1/4	5	5 1/2	6	7	8	9	10	11	12	.068	.068
1/2"	.840	1 1/8	1 1/2	2	2 1/2	3	3 1/2	4	4 1/4	5	5 1/2	6	7	8	9	10	11	12	.068	.068
3/4"	1.050	1 3/8	1 1/2	2	2 1/2	3	3 1/2	4	4 1/4	5	5 1/2	6	7	8	9	10	11	12	.068	.068
1"	1.315	1 1/2		2	2 1/2	3	3 1/2	4	4 1/4	5	5 1/2	6	7	8	9	10	11	12	.068	.068
1 1/4"	1.660	1 5/8		2	2 1/2	3	3 1/2	4	4 1/4	5	5 1/2	6	7	8	9	10	11	12	.068	.068
1 1/2"	1.900	1 3/4		2	2 1/2	3	3 1/2	4	4 1/4	5	5 1/2	6	7	8	9	10	11	12	.068	.068
2"	2.375	2			2 1/2	3	3 1/2	4	4 1/4	5	5 1/2	6	7	8	9	10	11	12	.068	.068
2 1/2"	3.500	2 1/2				3	3 1/2	4	4 1/4	5	5 1/2	6	7	8	9	10	11	12	.068	.068
3"	4.500	2 5/8				3	3 1/2	4	4 1/4	5	5 1/2	6	7	8	9	10	11	12	.068	.068
4"	5.563	2 7/8						4	4 1/4	5	5 1/2	6	7	8	9	10	11	12	.068	.068
5"	6.625	3 1/8							4 1/4	5	5 1/2	6	7	8	9	10	11	12	.068	.068
6"	8.625	3 1/2							4 1/4	5	5 1/2	6	7	8	9	10	11	12	.068	.068